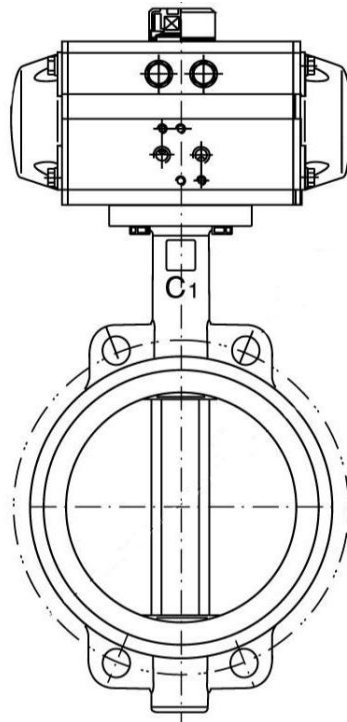


STANDARD SPECIFICATION

CHUANHU

气动软密封蝶阀

**Pneumatic Soft seal
Butterfly valve**



上海川沪阀门有限公司

ShangHai Chuanhu Valve CO.,LTD

概述

软密封蝶阀具有功能强、体积小、性能可靠、配套简单、流通能力大等特点。广泛应用于食品、环保、轻工、石油、造纸、化工、教学和科研设备、电力等行业的工业自动控制系统。

GENERAL

Soft seal butterfly valve has the characteristics of strong function, small volume, reliable performance, simple matching, large flow capacity etc.. Butterfly valve is widely used in food, environmental protection, light industry, petroleum, papermaking, chemical industry, teaching and research equipment, electric power industry automatic control system

标准规格 STANDARD SPECIFICATION

公称通径 Body size	DN40~1200
公称压力 Body ratings	PN 1.6, 2.5 MPa ANSI Class 150, 300 lb
尺寸标准 Dimension standard	国标、美标 GB, American standard
阀体材质 Body material	碳钢 Carbon steel(WCB), 不锈钢 Stainless steel(CF8, CF8M, CF3, CF3M)
阀座材质 Seat material	橡胶 (X)、聚四氟乙烯 (F) X, PTFE
作用方式 Mode of action	双作用、单作用 (弹簧复位) Double-acting/Single-acting type(spring reposition)
控制方式 Control	开关型、调节型 Switch type, Adjust type
附件选择 Selection of Accessories	电磁阀、定位器、限位开关、气源三联件、手动机构 Solenoid valve, Locator, Limit switch, F.R.L. COMBINATION UNIT, Manual Device

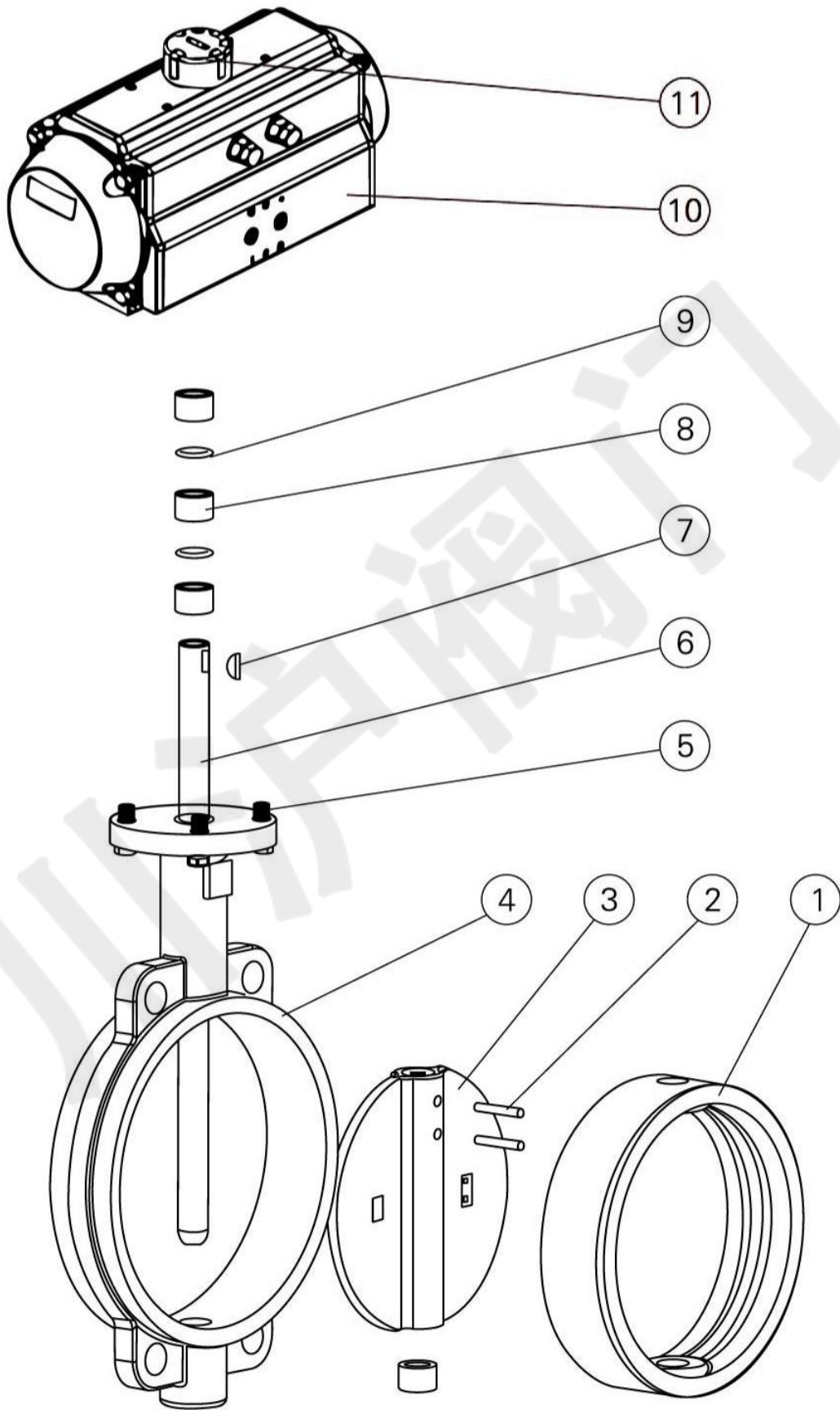
设计依据 Design Basis	GB 标准 Standard	
设计标准 Design standard	G B/12238	
结构长度 Face to face dimension	对夹连接 Wafer connecting	G B/12221
连接法兰尺寸 Connecting Flange Size		GB/12221
试验和检验 Test & inspection		JB/T9092

※注：系列蝶阀结构长度及连接法兰尺寸可根据用户要求设计制造。

Note: The structural length and connecting flange size of butterfly valve series can be designed and manufactured as per users' requirements



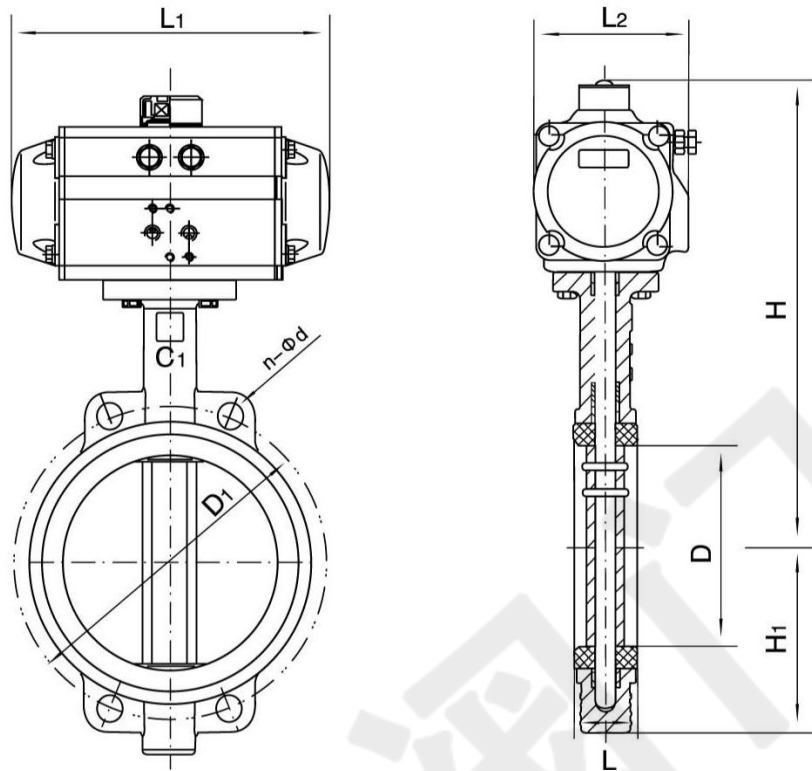
结构图和零件材质表 STRUCTURE AND MAIN MATERIAL TABLE



序号 No.	零件名称 Name of parts	材质 Material		
		Z	C	P
1	阀座 Seat	橡胶、四氟 Rubber、PTFE		
2	圆锥销 Taper Pin	45 钢 45 Steel	45 钢 45 Steel	不锈钢 Stainless Steel
3	蝶板 Butterfly Plate	球墨铸铁镀硬铬 Ductile Iron-iron Hard Chrome Plating	碳钢或不锈钢 Simple Steel Or Stainless Steel	不锈钢 Stainless Steel
4	阀体 Body	灰铸铁 Grey Cast Iron	碳钢 Carbon Steel	不锈钢 Stainless Steel
5	螺栓 3CreW	35 钢 35 Steel	碳钢 Carbon Steel	不锈钢 Stainless Steel
6	阀杆 Stem	45 钢 45 Steel	不锈钢 Stainless Steel	不锈钢 Stainless Steel
7	键 Key	45 钢 45 Steel	45 钢 45 Steel	不锈钢 Stainless Steel
8	衬套 Bushing	铜基粉末冶金 Copper Base Powder Metallurgy	铜基粉末冶金 Copper Base Powder Metallurgy	铜基粉末冶金 Copper Base Powder Metallurgy
9	O 形圈 “O” Ring	橡胶 Rubber、氟橡胶 Viton		
10	气动装置 Pneumatic Device	AT 系列、AW 系列 AT Series. AW Series		
11	位置指示器 Location Indicator	塑料 Plastic		

※注：系列蝶阀主要零部件及密封圈的材质可根据实际工况条件或用户特殊要求设计选用。

Note: The main spare parts and sealing ring material of butterfly valve can be designed for you options according to real working conditions or user's special requirements.

主要外形及连接法兰尺寸 MAIN OUTLINE AND CONNECTING FLANGE SIZE

PN6 、 PN10 (0.6 、 1.0MPa) Dimension

公称通径 Nominal diameter DN	外形尺寸 Outline Size				连接尺寸 Connecting Size			执行器型号 Actuator Model
	L	L1	H	H1	D	D1	n-Φd	
50	43	141	269	68	52.9	125	4-18	AT050D/AT063S
65	46	159	283	75	64.5	145	4-18	AT063D/AT075S
80	46	159	289	93	78.8	160	4-18	AT063D/AT088S
100	52	211	320	104	104	180	8-18	AT075D/AT100S
125	56	248	351	118	123.3	210	8-18	AT088D/AT100S
150	56	269	380	133	155.6	240	8-22	AT100D/AT125S
200	60	345	435	165	202.5	295	8-22	AT125D/AT145S
250	68	409	509	197	250.5	350	12-22	AT145D/AT160S
300	78	438	597	224	301.6	400	12-22	AT160D/AT190S
350	78	550	653	267	333.3	460	16-22	AT190D/AT210S
400	102	550	720	309	389.6	515	16-26	AT190D/AT240S
450	114	600	772	328	440.51	565	20-26	AT210D/AT240S
500	127	633	867	361	491.5	620	20-26	AT240D/AT270S
600	154	730	998	459	592.5	725	20-30	AT270D/AW25S
700	165	1230	1116	520	695	840	24-30	AW25/AW28S
800	190	1430	1330	591	794.7	950	24-33	AW28/AW35S

注：数据 XXX/XXX 分别是气动执行器双作用式，单作用式（弹簧复位）。

根据不同的阀门扭矩、使用介质选配，不同的执行器型号，其相关尺寸随之变化。

Note: Data XXX/XXX represent respectively double-acting/singe-acting type(spring reposition).

The relative sizes are subject to change responding to different valve torques, mediums and actuator models

订货须知 ORDERING INFORMATION

代号 Code	材料 Material	适用温度(°C) Applicable Temperature
H	合金钢 304、316 Alloy Steel 304,31 6	-30—425
F	增强聚四氟乙烯 Reinforced Polyterafluoroethylene (PTFE)	-40—150
X	丁腈橡胶 Buna-N Rubber	-12~82
	乙丙橡胶 Ethylene-propylene Rubber	-35—110
	食品级乙丙胶 Food Ethylene-propylene Rubber	-35—110
	氟橡胶 Fluorous rubber	-12~135
J	全衬里丁腈橡胶 Full-lining Buna-N Rubber	-12—82
F4	全衬里聚四氟乙烯 Full-lining polyteafuoroethylene (PTFE)	-40—160

根据不同控制和要求可选择下列附件：

切断型附件：单电控电磁阀、双电控制电磁阀、限位开关回讯器。

调节型附件：电-气定位器、电气转换器。

气源处理附件：空气过滤减压阀、气源处理三联件。

手动机构：XLHJ 系列

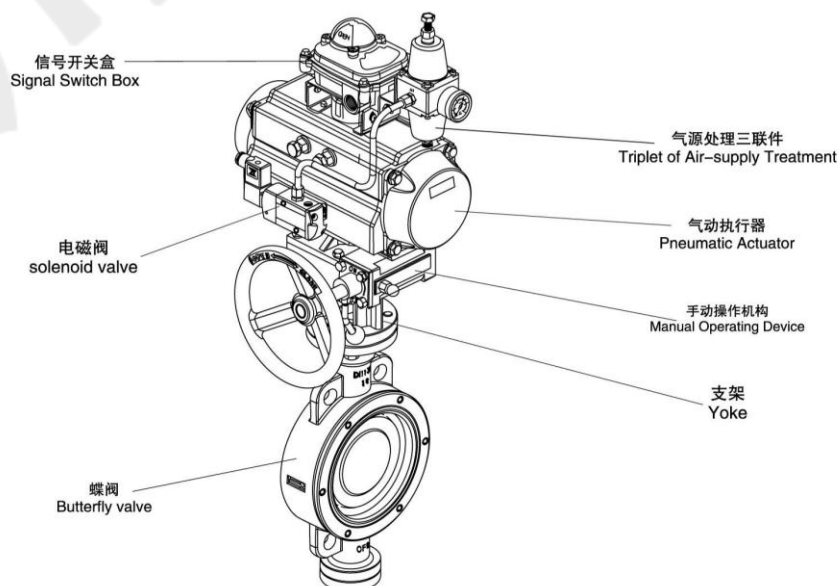
According to the different control and the request can choose the following accessories:

Shut-off Accessories: Single electrically-controlled magnetic valve. Double electrically-controlled Solenoid valve. signal saver of limit switch

Adjusting Accessories: EP/PP-positioner. electric-pneumatic converter.

Air-supply Treatment Accessories: air-filtering reducing valve. F.R.L. COMBINATION UNIT.

Manual Device: XLHJ Series





地址：上海市奉贤区金汇工业园金碧路 358 号
电话：86-021-5186 3046
传真：86-021-5186 3049
邮箱：chvalve@126.com
邮编：210404
网址：<http://www.chuanhuvalve.com>

Add: Shanghai Fengxian District Jinhui Industrial Garden Jinbi Road No. 358
Tel: 86-021-5186 3046
Fax: 86-021-5186 3049
Mail: chvalve@126.com
Code: 210404
Website: <http://www.chuanhuvalve.com>

